

## Model: rdcLPU

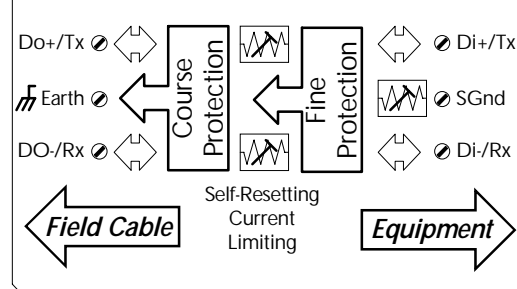
### Effective Lightning Protection for Isolated RS-232/422/485 Data Comm Circuits

The rdcLPU is especially designed for use with RobustDC's isolated products. One rdcLPU fully protects 2-wire RS-485 or 3-wire RS-232 circuits. Built-in self-resetting current limiters both eliminate the need for external fuses and protects from common continuous over-voltage faults.

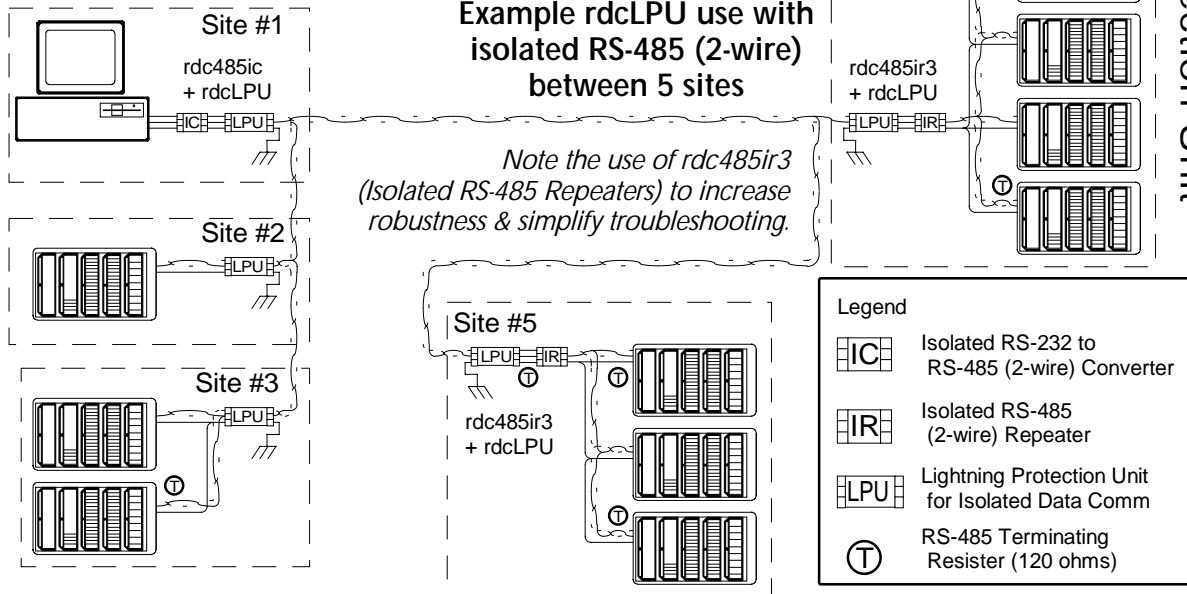
#### Key features include:

- Up to 20kA impulse discharge (8/20µs wave)
- Self-resetting current limited to 250mA
- Simplifies ground wire installation

#### Block Diagram



Data Comm Lightning Protection Unit



## Specification

### Surge Management

- Nominal Voltage : +/- 15 vdc (suitable for RS-232/422/485)
- Nominal Current : 250mA (normal maximum for RS-485)
- Series Resistance : 6.5 ohm (at 25 °C with minimum current)
- Impulse Discharge : 20kA (wave form 8/20µs per IEC 801.5)
- Course Protection : Ceramic Gas Discharge Tube
- Fine Protection : High-Speed Transient Suppressor Diode
- Current Limiting : Positive Temperature Coefficient Thermistor
- Capacitive Effect : adds approx 4000 pF per wire
- Supported Speeds : 300 to 38kbps

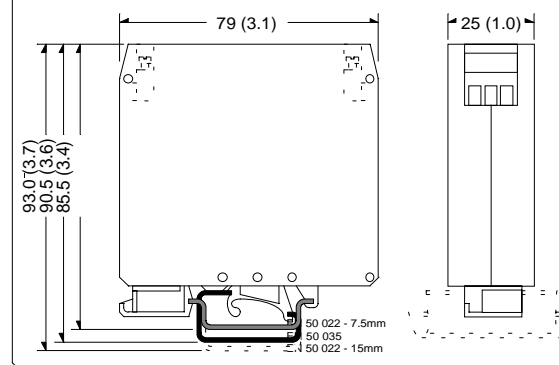
### Mechanical / Environment

- Operating Range : -40C to +65C
- Storage Range : -40C to +100C
- Relative Humidity : 10 to 90% RH, non-condensing
- Terminals : wire up to 2.5mm (12 AWG)
- Case Material : fungus and termite resistant, self-extinguishing
- Weight : approx 130g
- Mounting Rail : DIN EN 50 022 or DIN EN 50 035

### Order Information

rdcLPU-com  
(note: no other options)

### Dimensions in mm (and inches)



[www.robustdc.com](http://www.robustdc.com)

Copyright © 1999 RobustDC

Specifications subject to change without notice.

