

Model: rdc232Enet

Isolated Device Server rdc232Enet

The rdc232Enet safely and easily connects an industrial device with serial interface (RS-232) to an Ethernet network while providing the ultimate in isolation, surge, and noise protection. The RS-232 port and network port are isolated from each other, as well as the DC supply ground. 600w transient suppressor diodes further protect the RS-232 port from momentary surges. Standard industrial automation protocols like Modbus/TCP is also supported.

Isolation, industrial design, small size, DIN rail mount, user indication, and wide range DC supply make the rdc232Enet a very engineer-friendly device for your industrial data communication system.

Specification

Network Interface

Standards : TCP/IP, UDP/IP, DHCP, SNMP, SSL/TLS
HTTP, SMTP, ICMP, IGMP and ARP

Interface : 10/100Base-T Ethernet

Connector : RJ45

User Indications : Network Link and Activity indication

Serial Interface

Interface : EIA/RS-232E

Connector : DB9 Male DTE

Data Rate : Up to 115,200 bps (configurable)

Characters : Configurable (5,6,7,8 databits)

Parity : Configurable (odd,even,none,mark,space)

Stop Bits : Configurable (1,2 bits)

User Indications : Txd and Rxd Indication

Isolation

RS-232 to Ethernet : complete galvanic isolation 2.5Kv

Supply to Ethernet : complete galvanic isolation 2.5Kv

Supply to RS-232 : complete galvanic isolation 2.5Kv

Power Supply

9~36 vDC : 2.5w normal operation

5vDC +/-5% : 400mA normal operation

User Indication : Green LEDs for power indication

Mechanical / Environment

Operating Range : -20C to +65C

Storage Range : -40c to +100C

Relative Humidity : 10 to 90% RH, non-condensing

D-shell Connector : 9-pin, 30µ gold pins/sockets rated 500 cycles

Case Material : nylon polymide, fungus and termite resistant self-extinguishing

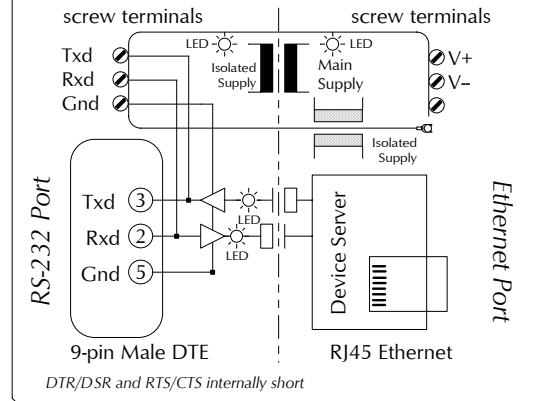
Weight : approx 130g

Mounting Rail : DIN EN 50 022 or DIN EN 50 035

Copyright © 2004 RDC

(Version 1.0) Specifications are subject to change without notice.

Block Diagram



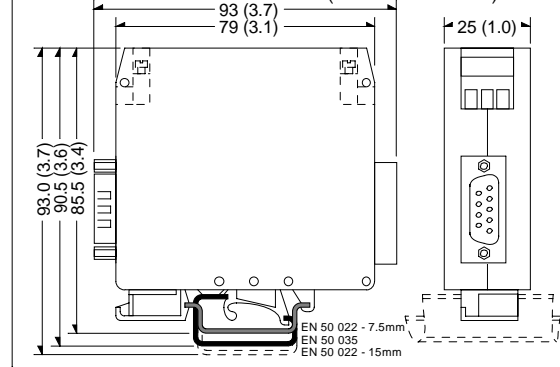
Order Information

rdc232Enet - - -

Connector Configuration	
dr	D-sub RS-232, RJ45 Ethernet
cr	C-term RS-232, RJ45 Ethernet
Galvanic Isolation Configuration	
2p	2-port, port #1 grnd = supply grnd
3p	3-port, port #1, #2, Supply fully isolated
Power Supply Configuration	
5v	5v ±5% Regulated DC Supply
dv	9v to 36v Unregulated DC Supply (12v & 24v)
hv	38v to 58v Unregulated DC Supply (±48v)

Boxes in **BOLD** indicate factory default options

Dimensions in mm (and inches)



www.robustdc.com

RS-232 to Ethernet Converter (Device Server)

