



Model: rdc485SFO

RS-485 to Singlemode Fiber Optics Converter

The rdc485SFO safely and easily connects your panel mounted RS-485 devices to fiber optic cables up to 20 km long, providing the ultimate in isolation, surge, and noise protection. Even the RS-485 port can be galvanically isolated from the DC supply ground too. The fiber optic port is available with either ST, SC or FC connectors.

Industrially designed with a small footprint, DIN rail mount, user indicators, and wide DC supply range make the rdc485SFO a very engineer- friendly device for your industrial data communication system.

Specification

Fiber Optic

- Interface : 1310 nm full duplex (Remote)
- Connectors : ST(bayonet), SC or FC (Remote)
- Fiber Size : 9/125 μ m
- Power Budget : 15 dbm @ 65 °C on 9/125 μ m cable

RS-485

- Signal Type : EIA/RS-422A & RS-485A
- Voltage Level : -7 to +12VDC
- Permitted Surge : +/- 25 vDC

Isolation

- RS-485 to fiber : Intrinsically isolated
- Supply to fiber : Intrinsically isolated
- Supply to RS-485 : 1-port = none ; 2-port = 2.5Kv

Power Supply

- 9v to 36v DC : 35 mA (Max)
- 5v DC +/- 5% : 140 mA (Max)
- User Indications : Green LED for incoming power supply

Communication

- Max Speed : Up to 115 kbps
- Character Setting : transparent, no configuration required
- Turn-around Delay : 2 ms (For 2-wire mode only, regardless of speed)
- User Indications : Yellow LEDs for both directions
- Distance : 1 km for EIA/RS-485
 (For 3 km, requires quality, low-cap cable < 50 pf/m)
 : 20 Km with 9/125 μ m fiber
 (Depends on attenuation loss, no. of splices etc along FO cable)

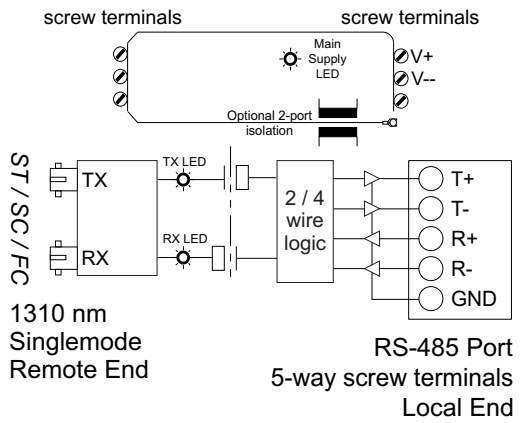
Mechanical / Environment

- Operating Range : -10 °C to +65 °C
- Storage Range : -40 °C to +85 °C
- Relative Humidity : 10 to 90% RH, non-condensing
- Terminals : wire up to 2.5mm (12 AWG)
- Case Material : nylon polymide, fungus and termite resistant self-extinguishing
- Weight : approx 130g
- Mounting Rail : DIN EN 50 022 or DIN EN 50 035

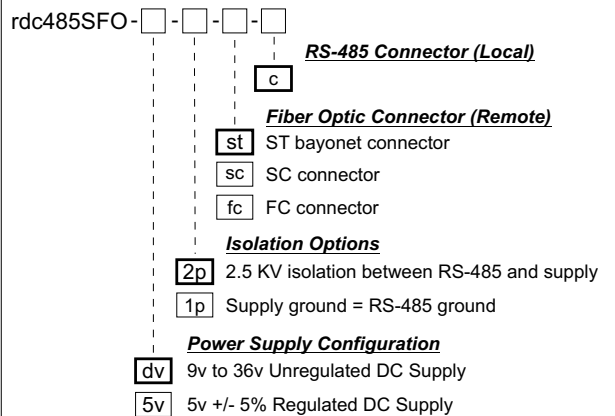
Copyright © 2014 RDC

(Version 1.1) Specifications subject to change without notice.

Block Diagram

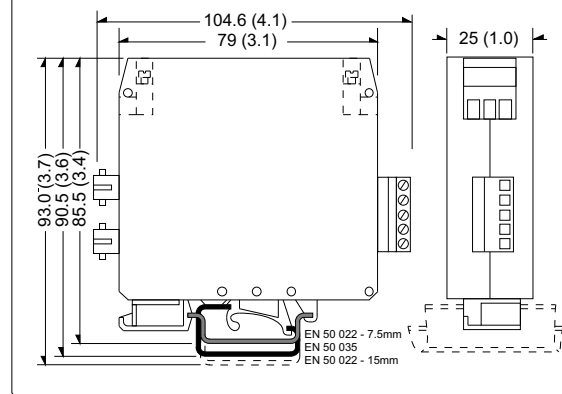


Order Information



Boxes in Bold denote factory default options

Dimensions in mm (and inches)



www.robustdc.com